

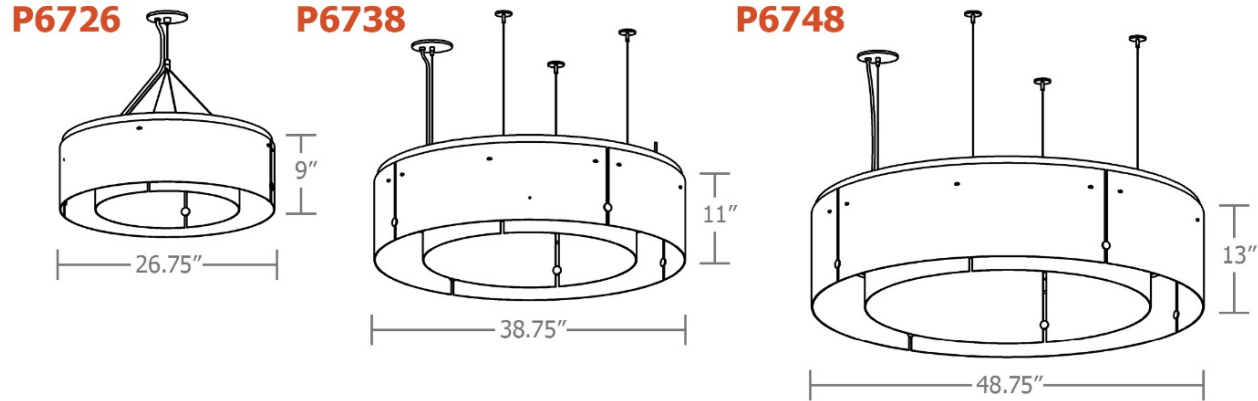


**circ.us™ 5-slider**

your lighting rep has recommended the **circ.us™** pendant for your project  
Let's take a quick look:



## sizes and lumens



- P6726 (26") / 2809 – 5461 lm
- P6738 (38") / 3414 – 6827 lm
- P6748 (48") / 5300 – 9300 lm

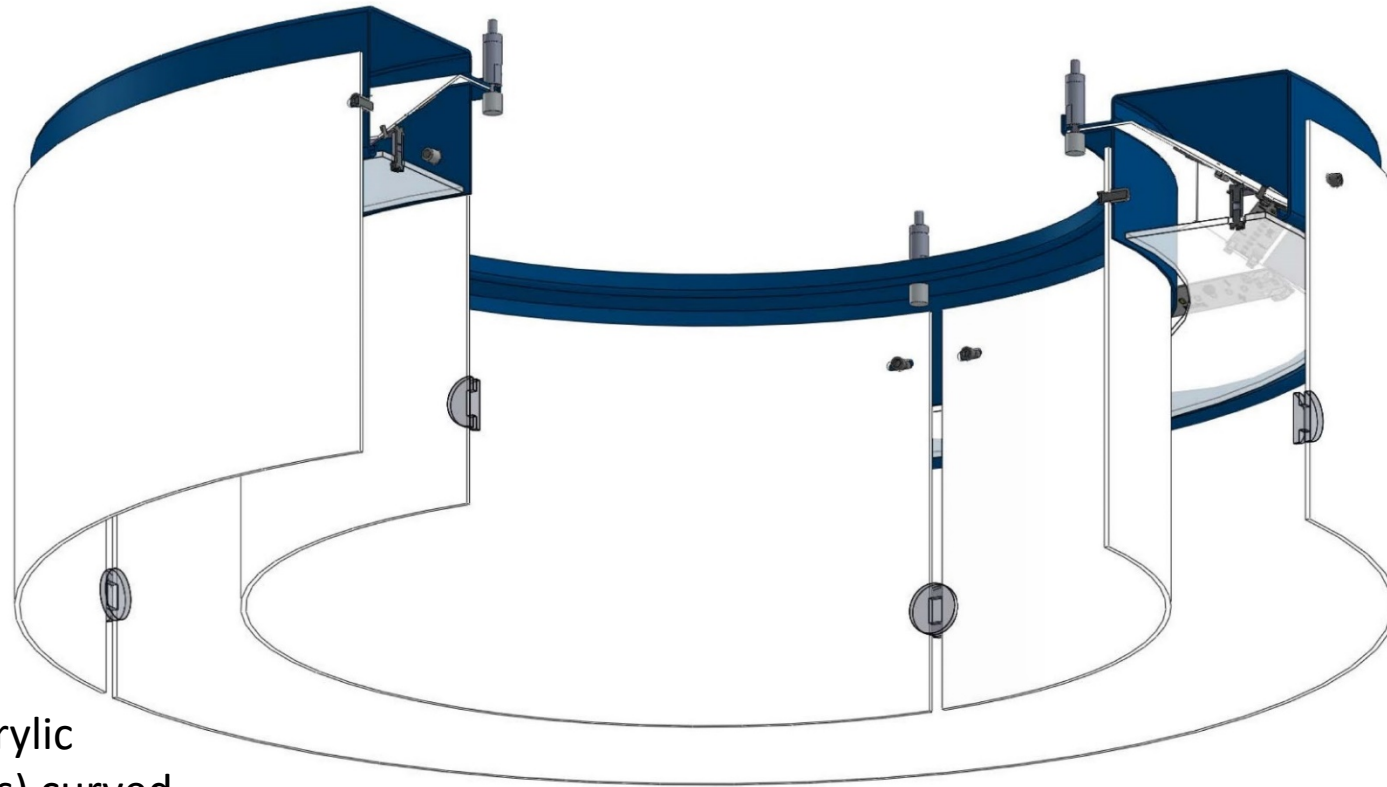


## construction

integral programmable drivers, constant current, field maintainable, universal input (120-277v), 0-10v controllable to 1% dimming.

segmented aluminum reflector, painted high reflectance matte white powder coat finish

.125" P95 matte white acrylic (doesn't show fingerprints) curved diffuser panels held with clear acrylic spacer discs



5" dia. spun steel canopy with field adjustable stainless steel four-point vertical suspension or quadpod to single point

21 standard powder coat paint finishes + custom RAL colors

precision CNC spun .063" aluminum housing w/rolled bottom edge for added strength

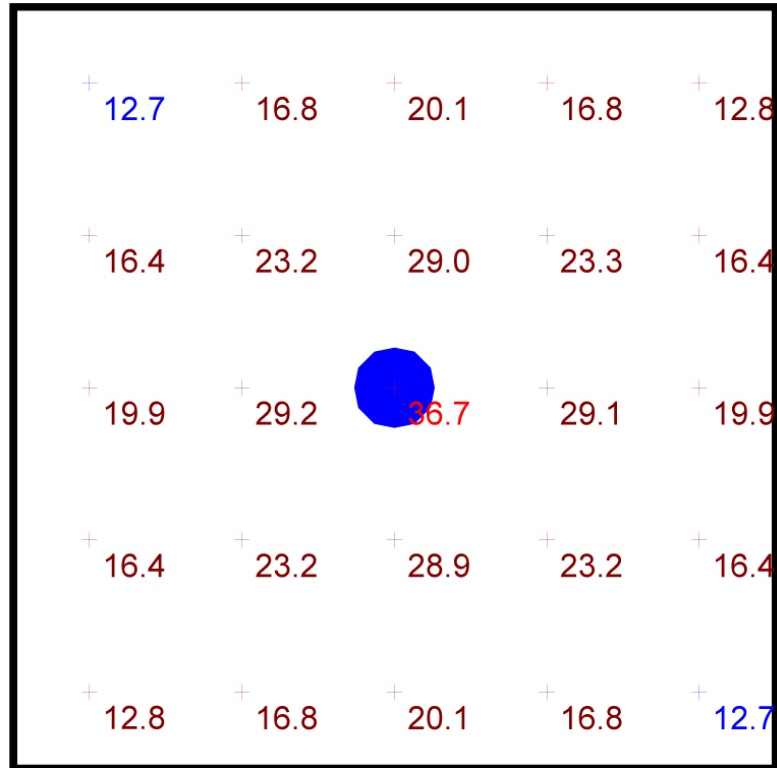
metal core LED boards mechanically held in place for easy maintenance

.125" frost acrylic lens covers LED lamps

# performance

## Statistics

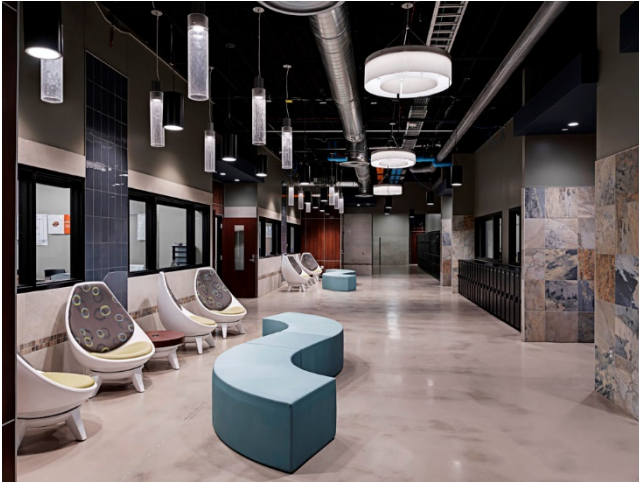
Description	Symbol	Avg	Max	Min	Max/Min	Avg/Min
circ.us	+	20.4 fc	36.7 fc	12.7 fc	2.9:1	1.6:1



Plan View  
Scale - 1" = 2ft

- 10' x 10' x 14'H space
- 80/50/20 reflectances
- bottom of fixture at 11' aff
- FC readings at 2.5' aff
- layout conducted using P6726 HI lumen package (5461 delivered lumens)





[www.impactltg.com](http://www.impactltg.com)

- spec sheet and color chart
- photometric files and BIM models
- built to order in Saint Louis, MO, USA
- 4-week lead time

circ.us™ 5-slider

